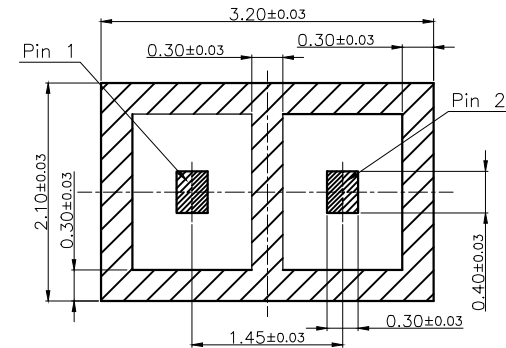
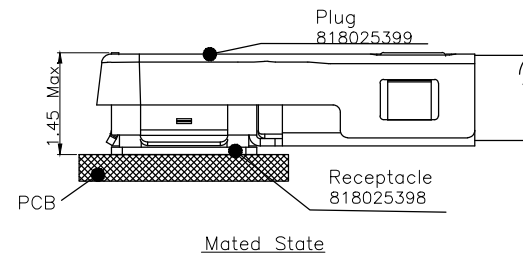
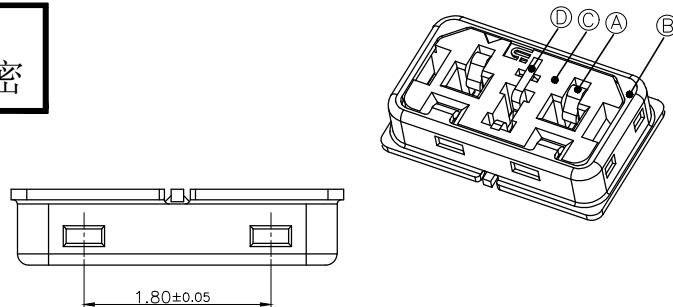
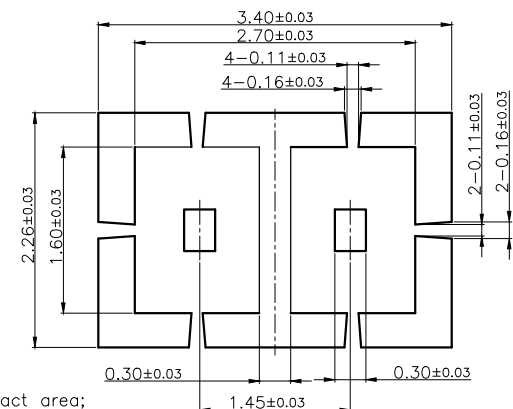
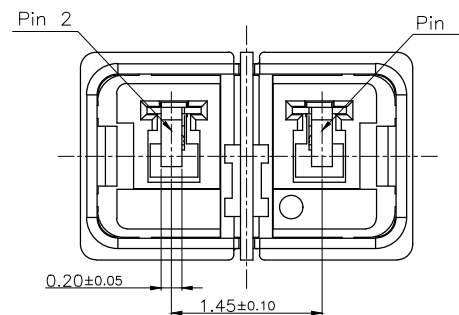
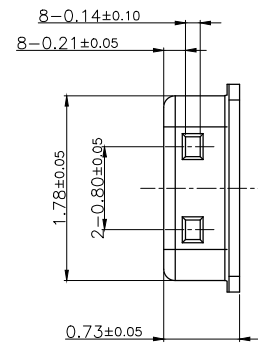
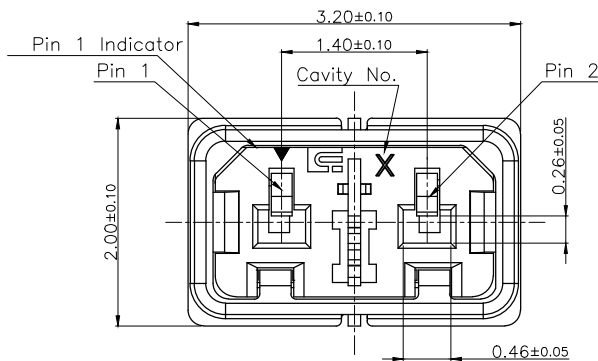


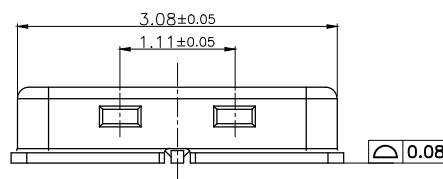
文档密级：
商业秘密



RECOMMENDED P.C.B. LAYOUT
TOP VIEW(TOLERANCE:±0.03)



RECOMMENDED METAL MASK
MASK THICKNESS:T=0.08



- Note:
- Material:
 - Metal: Copper Alloy, Au plated over Ni on contact area;
 - Housing: High temperature plastic,
 - Technology Parameter
 - 2.1 Voltage Rating 60V AC (R.M.S)
 - 2.2 Frequency Range 0~15GHz
 - 2.3 Nominal Characteristic Impedance 50 ohms
 - 2.4 Operating Temperature Range -40°C~+85°C
 - 2.5 Operating Humidity 95%R.H.MAX
 - Electric Performance
 - 3.1 Insulation Resistance 100M ohms @ 100V DC
 - 3.2 Contact Resistance
 - 3.2.1 Inner Contact Initial 100 mohms Max.
 - 3.2.2 Outer Contact Initial 100 mohms Max.
 - 3.3 Withstand Voltage 200V AC for 1 Minute
 - 3.4 VSWR 1.20Max @DC~1.2GHz. 1.50Max @7.0~15.0GHz.
 - Mechanism Performance
 - 4.1 Durability 30 Cycles
 - All the material followed the RoHS standard.

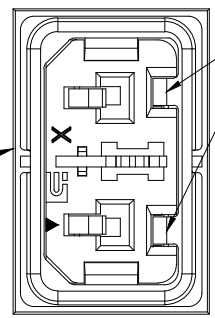
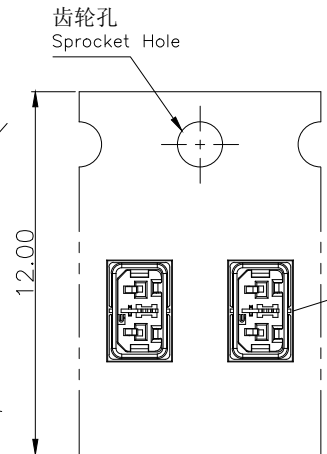
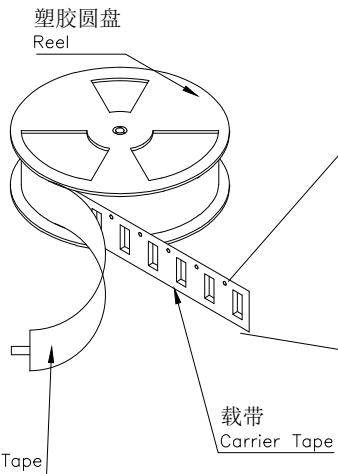
Table 1

ITEM	PART NAME	Q'TY	MATERIAL/FINISH
④	METAL PLATE	1	Copper Alloy/ Au plated over Nickel
③	HOUSING	1	High Temperature Plastic/UL94 V-0
②	SHELL	1	Copper Alloy/ Au plated over Nickel
①	CONTACT	2	Copper Alloy/ Au plated over Nickel

GENERAL TOLERANCE		SCALE: 20:1
XX. ±0.40	X.° ±2.0°	UNIT: mm
X. ±0.25		SIZE: A4
.X ±0.13	.X.° ±1.0°	
.XX ±0.05	.XX.° ±0.5°	

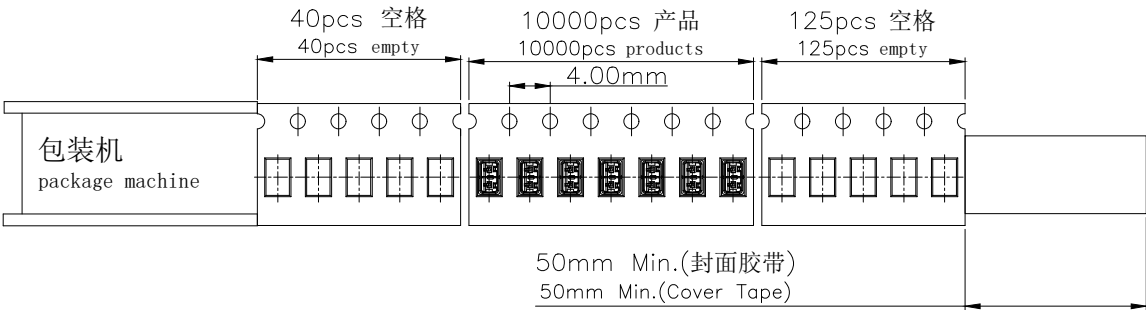
DRAWN Chen	DATE 02/23'24	DWG. NO. 600-25398-01	TITLE CUSTOMER DRAWING	REV. A
CHECK	DATE	PARTS NO.(INTENDED USE) 818025398	BTCC RECE,P1.45*H1.45,2Pin	SHEET 1/2
APPROVE	DATE			



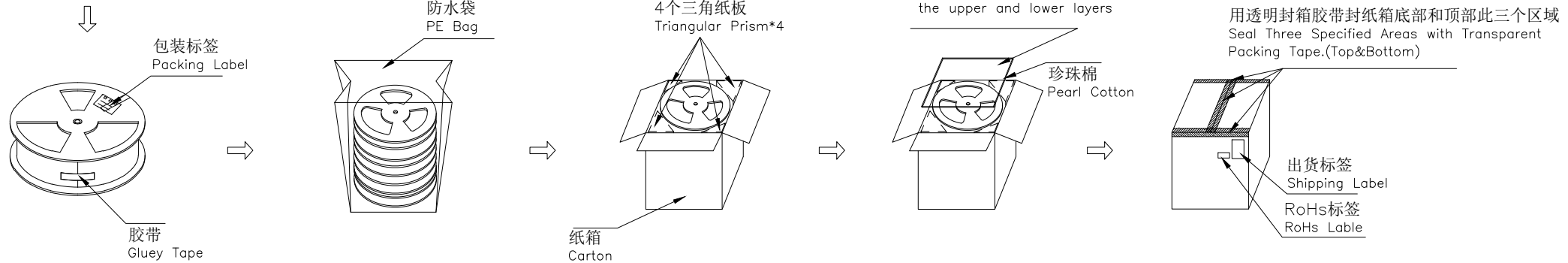


- Note.
- 1.产品放置方向与规范保持一致。The product placement direction remains consistent with the specifications.
 - 2.包装载带断裂时不可用人工连接。If the packaging carrier tape is broken, it cannot be connected manually.
 - 3.检查产品数量是否与规范一致。Check that the product quantity is consistent with the specifications.
 - 4.若有未装满之零数箱，须以缓冲材塞满。If there are unfilled carton, fill them with buffer materials.
 - 5.防水带封口须密封。The PE bag must be sealed.
 - 6.塑胶圆盘规格：330（外径）*110（内径）*12.5（宽）。Dimension specification of reel:330(OD)*100(ID)*12.5(W)
 - 7.纸箱规格：405（长）*405（宽）*335（高）。Dimension specification of Carton:405(L)*405(W)*335(H)

出料方向
User Direction of Unreeling



零件料号 Part Number				包装数量 Packing Quantity	
产品重量 Weight	载带料号 Carrier Tape	塑胶圆盘 Reel	上带 Cover Tape	PCS/盘 Pieces Per Reel	PCS/箱 Quantity Per Packing Carton
0.011g	7325398001	840000418	840000309	10000	100000



	GENERAL TOLERANCE		SCALE: 1:1	DRAWN: Chen	DATE: 02/23/24	DWG. NO. 551-25398-01	TITLE: PACKING DRAWING BTCC RECE,P1.45*H1.45,2Pin	REV. A
	XX. ±0.40	X. ±0.25	X. ±2.0°	UNIT: mm	CHECK			DATE
	YX ±0.13	.X. ±1.0°		SIZE: A4	APPROVE	DATE		
	.XX ±0.05	.XX. ±0.5°						